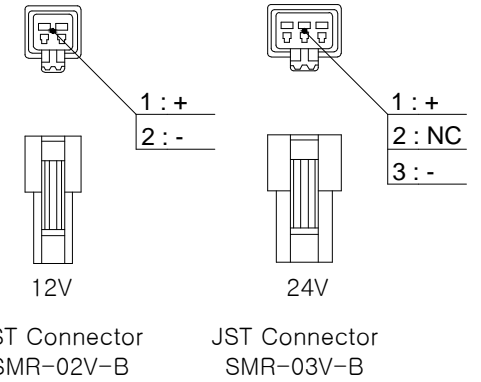


Model Name	JL-R-AB-190*144						전압옵션	LED	
Color Option	IR	RD	SW	NW	GR	BL	UV	12V / 24V	384
Watt		15.4W	30.8W						

PIN MAP



4-M3TAP DP5
P.C.D ϕ 170

