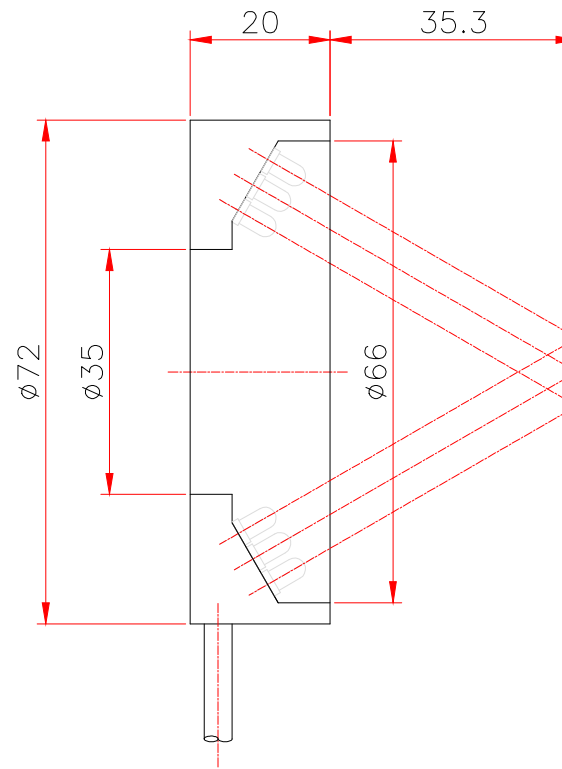
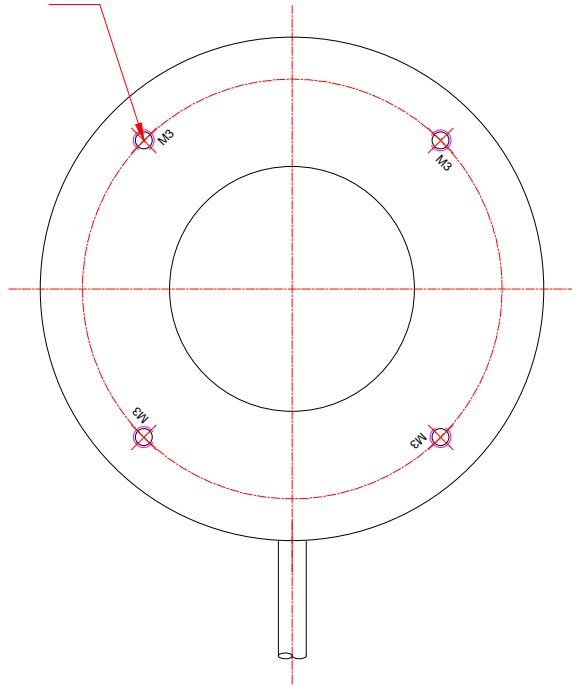


Model Name	JL-R-AB-72*35						전압옵션	LED	
Color Option	IR	RD	SW	NW	GR	BL	UV	12V / 24V	102
Watt		4.1W	8.2W						

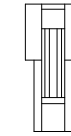
4-M3TAP DP5
P.C.D $\phi 60$



PIN MAP



1: +
2: -

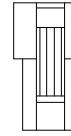


12V

JST Connector
SMR-02V-B



1: +
2: NC
3: -



24V

JST Connector
SMR-03V-B