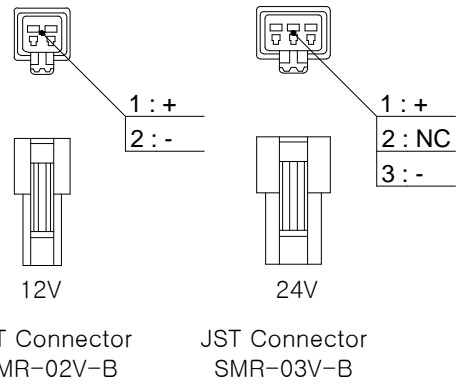


Model Name	JL-R-AB-94*57						전압옵션	LED	
Color Option	IR	RD	SW	NW	GR	BL	UV	12V / 24V	102
Watt		5.8W	11.6W						

### PIN MAP



4-M3TAP DP5  
P.C.D  $\phi$ 80

