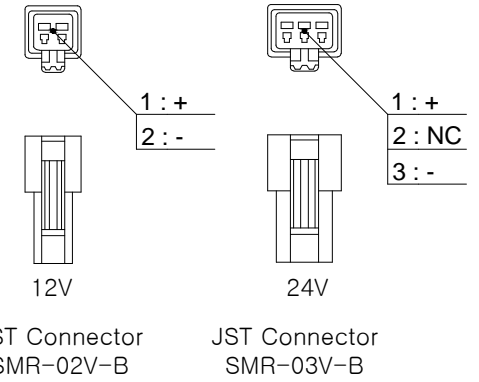


Model Name	JL-R-AC-150*114						전압옵션	LED	
Color Option	IR	RD	SW	NW	GR	BL	UV	12V / 24V	252
Watt		10.1W	20.2W						

## PIN MAP



4-M3TAP DP5  
P.C.D  $\phi$ 130

