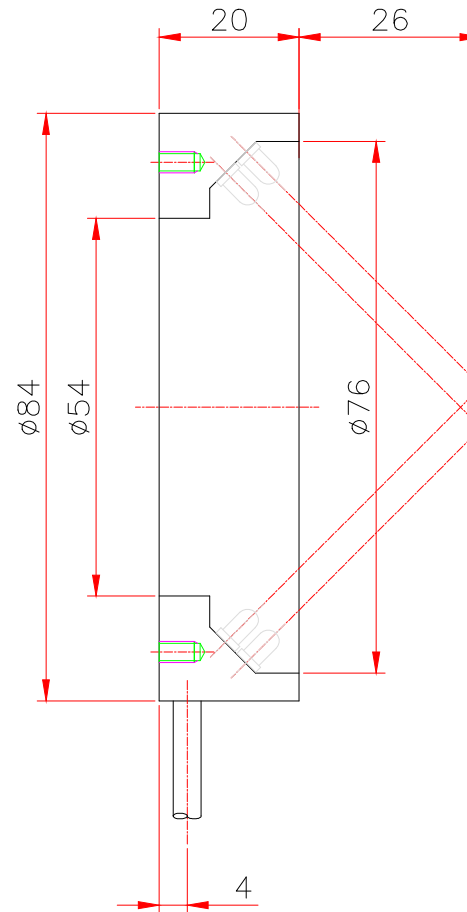
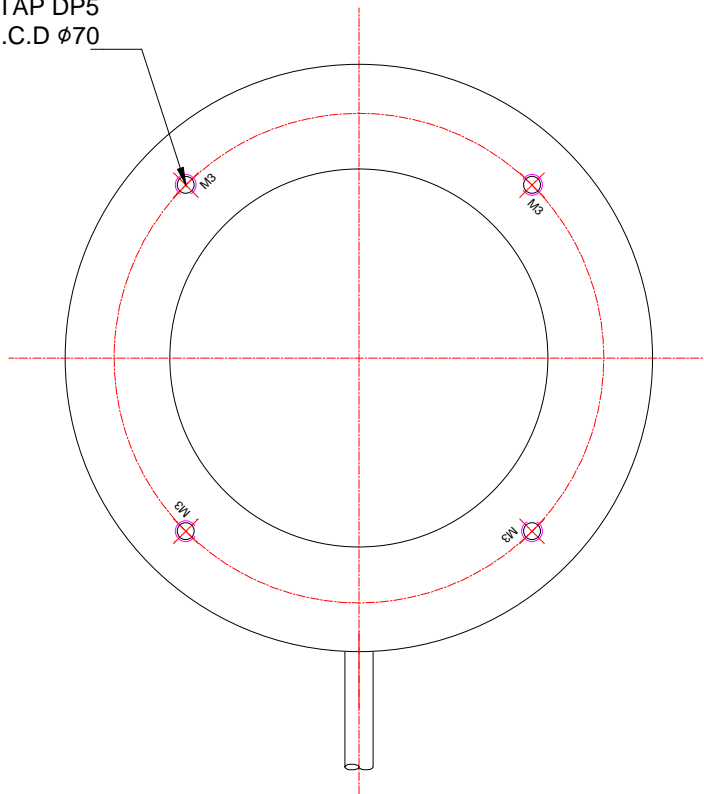


| | | | | | | | | | |
|--------------|---------------|------|------|----|----|----|------|-----------|----|
| Model Name | JL-R-AC-84*54 | | | | | | 전압옵션 | LED | |
| Color Option | IR | RD | SW | NW | GR | BL | UV | 12V / 24V | 96 |
| Watt | | 3.9W | 7.7W | | | | | | |

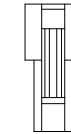
4-M3TAP DP5
P.C.D ϕ 70



PIN MAP



1: +
2: -

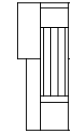


12V

JST Connector
SMR-02V-B



1: +
2: NC
3: -



24V

JST Connector
SMR-03V-B