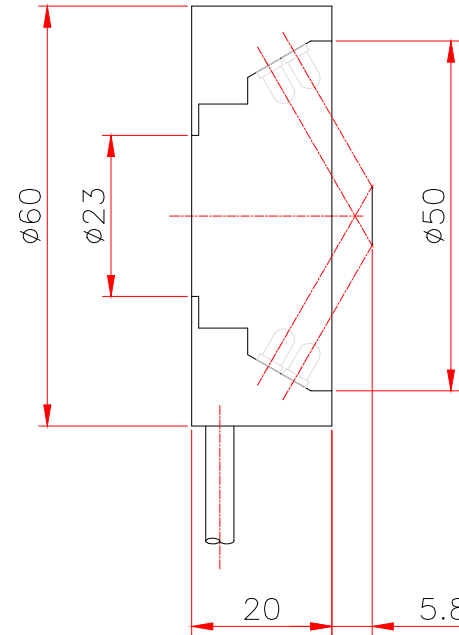
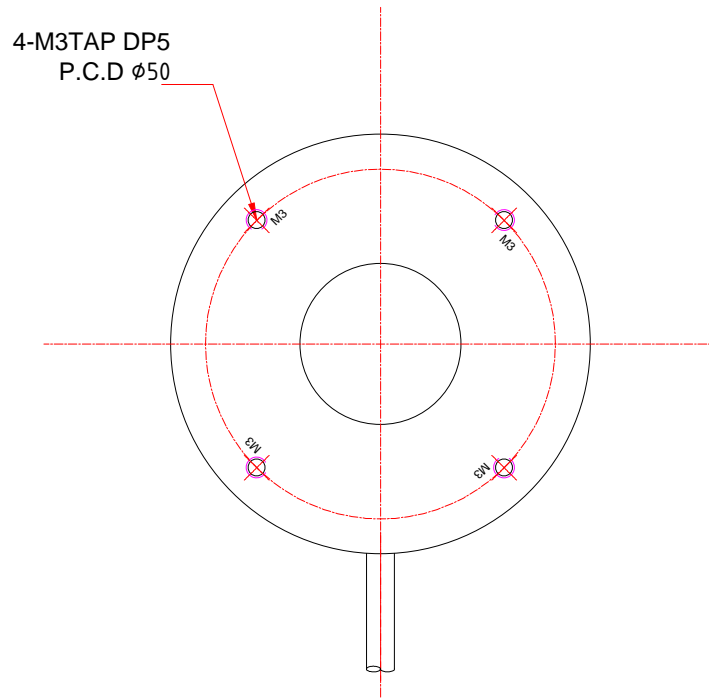


Model Name	JL-R-AD-60*23						전압옵션	LED	
Color Option	IR	RD	SW	NW	GR	BL	UV	12V / 24V	60
Watt		2.4W	4.8W						



PIN MAP

