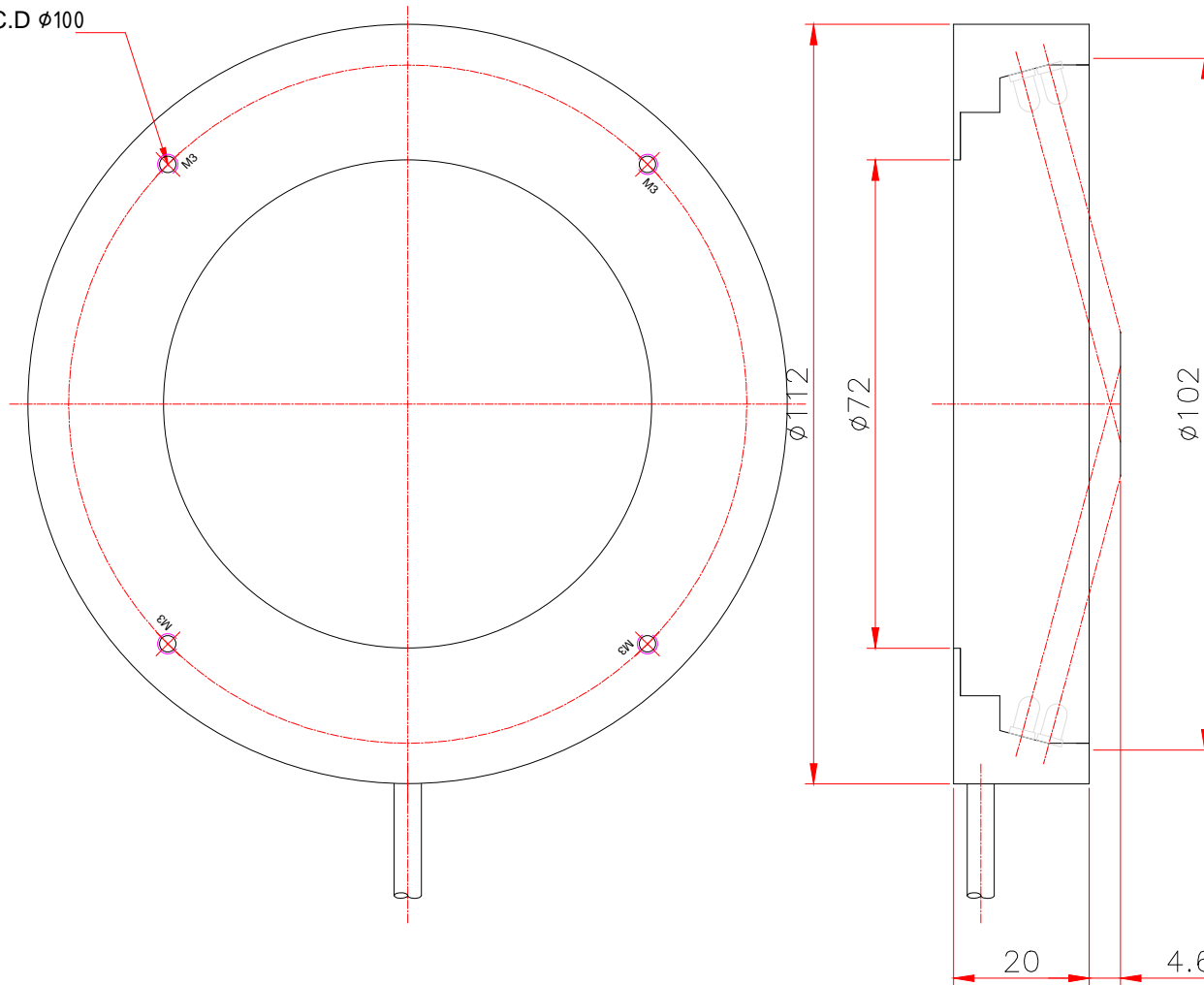


Model Name	JL-R-AE-112*72						전압옵션	LED	
Color Option	IR	RD	SW	NW	GR	BL	UV	12V / 24V	132
Watt		5.3W	10.6W						

4-M3TAP DP5  
P.C.D  $\phi$ 100



## PIN MAP

