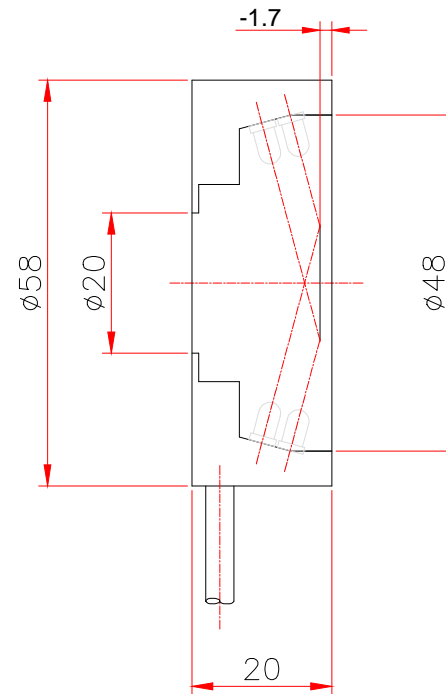
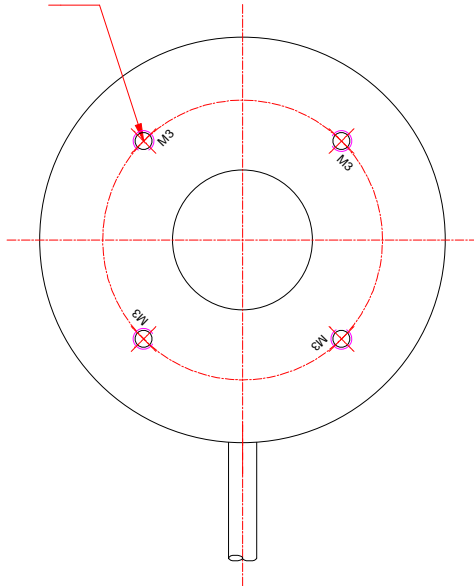


Model Name	JL-R-AE-58*20						전압옵션	LED	
Color Option	IR	RD	SW	NW	GR	BL	UV	12V / 24V	60
Watt		2.4W	4.8W						

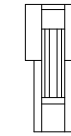
4-M3TAP DP5
P.C.D ϕ 40



PIN MAP



1: +
2: -

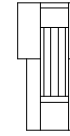


12V

JST Connector
SMR-02V-B



1: +
2: NC
3: -



24V

JST Connector
SMR-03V-B

