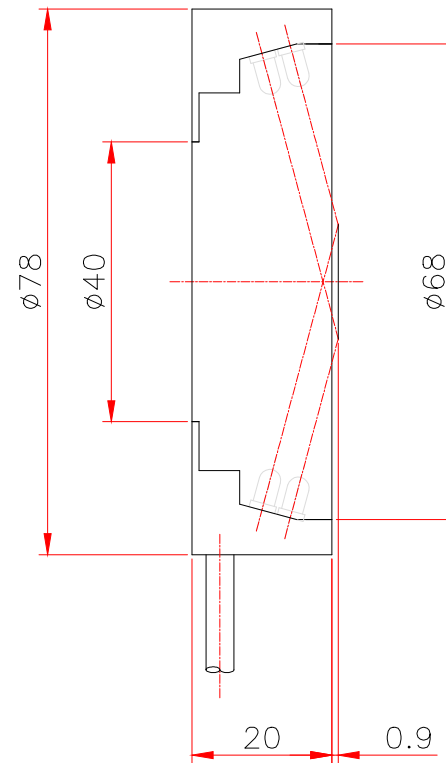
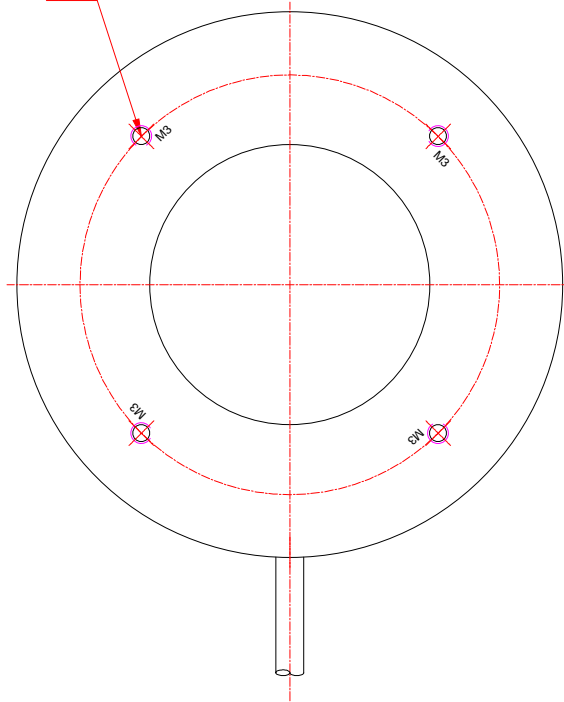


|              |               |      |      |    |    |    |      |           |    |
|--------------|---------------|------|------|----|----|----|------|-----------|----|
| Model Name   | JL-R-AE-78*40 |      |      |    |    |    | 전압옵션 | LED       |    |
| Color Option | IR            | RD   | SW   | NW | GR | BL | UV   | 12V / 24V | 84 |
| Watt         |               | 3.4W | 6.8W |    |    |    |      |           |    |

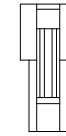
4-M3TAP DP5  
P.C.D  $\phi 60$



## PIN MAP



1: +  
2: -

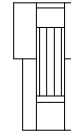


12V

JST Connector  
SMR-02V-B



1: +  
2: NC  
3: -



24V

JST Connector  
SMR-03V-B